

489m² Commercial for Sale in Pegeia, Paphos District

- Internal Area 489m²
- Plot 600m²
- Covered and Uncovered Veranda 120m²
- Four levels: ground floor, first floor, mezzanine and basement floors
- 5 Guest Toilets (1 disable toilet)
- 2 Staff Toilets with shower
- 4 Storage rooms (Equipment, food, drinks, Refrigerator)
- 2 Bars
- Staff room
- 4 Parking Spots



Property Info

Covered Area

489

Plot / Area Info

Plot area
Parking

600
Uncovered, Yes

Additional info

Reference Number
Property type
Condition

14430
Other Commercial
Pre-Owned

Amenities

Location

Location: Pegeia

Coordinates: **34.855269123454 / 32.38114147562**

Region: **Paphos**

Price: €1 600 000 + VAT

VAT for this property is **€235,288** or **€304,000**. VAT usually is 19%. If it is your first purchase of property, you can have VAT reduced to 5% for the first 150sq.m. of the property.

VAT	Excluded	Title transfer fee	~€60 600.00	Common expenses	None
		Price per SQM	€3 272.00/m²		

Representative: Kadis Estates

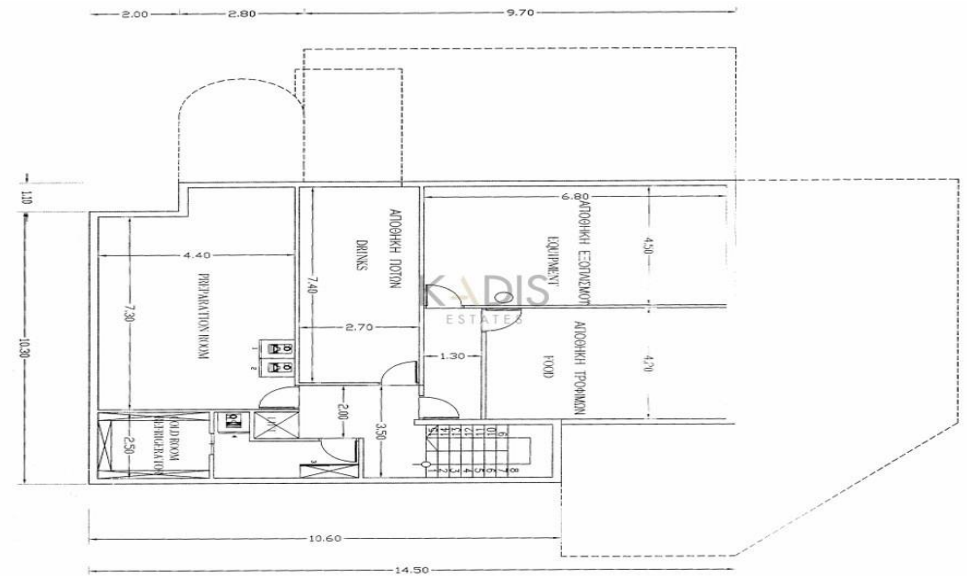
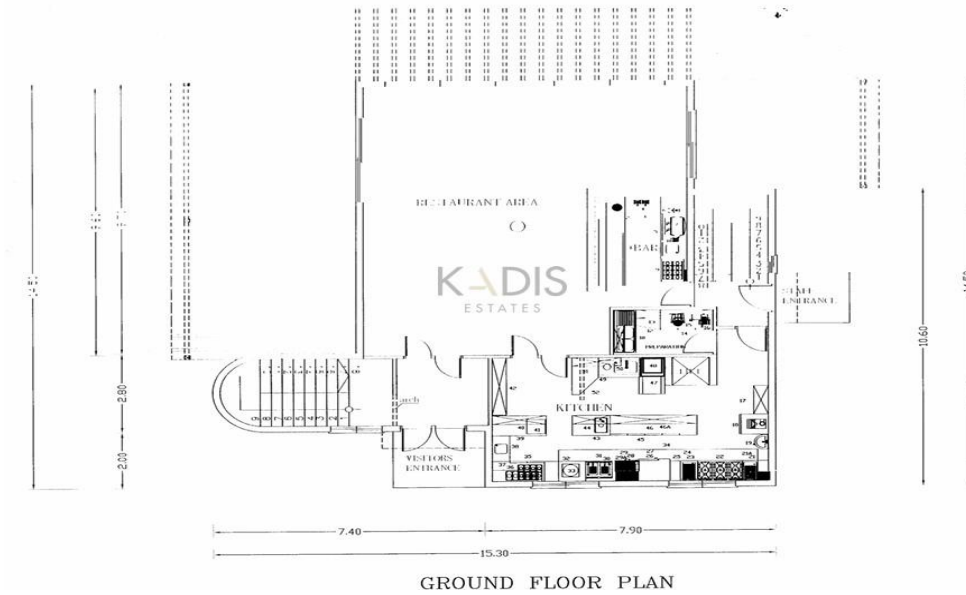
Registration number	506	Email	info@kadis.com.cy
License number	62/E	Legal name	N/A
Phone: +35722344842			

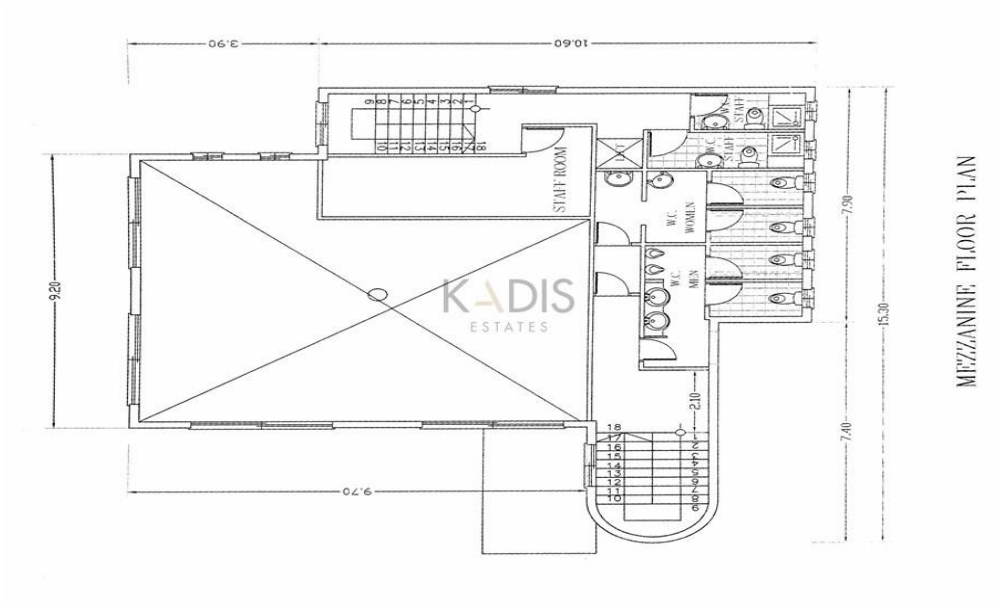
Price change history

€1 600 000 on Oct 11, 2025









MEZZANINE FLOOR PLAN