

2 Bedroom Apartment for Sale in Engomi, Nicosia District

- 2 bedrooms
- 2 W/C
- Internal Area 79m²
- Covered Verandas 10m²
- Covered Parking
- Storage
- Energy Efficiency "A"



Property Info

Covered Area **79**
 Air Conditioning **All rooms, Yes**

Plot / Area Info

Parking **Covered, Yes**

Additional info

Reference Number **8187**
 Property type **Apartment**
 Condition **Brand New**
 Bathrooms **2**

Amenities

- Storage room

Location

Location: Engomi Region: **Nicosia**
 Coordinates: **35.1538229 / 33.3169542**

Price: €205 000 + VAT

VAT for this property is **€10,250** or **€38,950**. VAT usually is 19%. If it is your first purchase of property, you can have VAT reduced to 5% for the first 150sq.m. of the property.

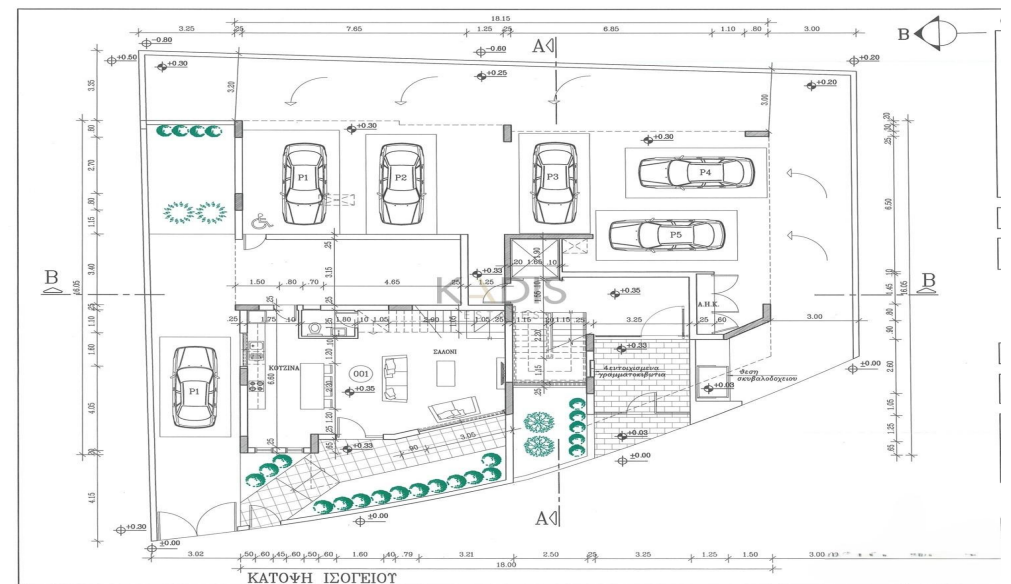
VAT	Excluded	Title transfer fee	None	Common expenses	None
		Price per SQM	€2 595.00/m²		

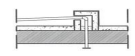
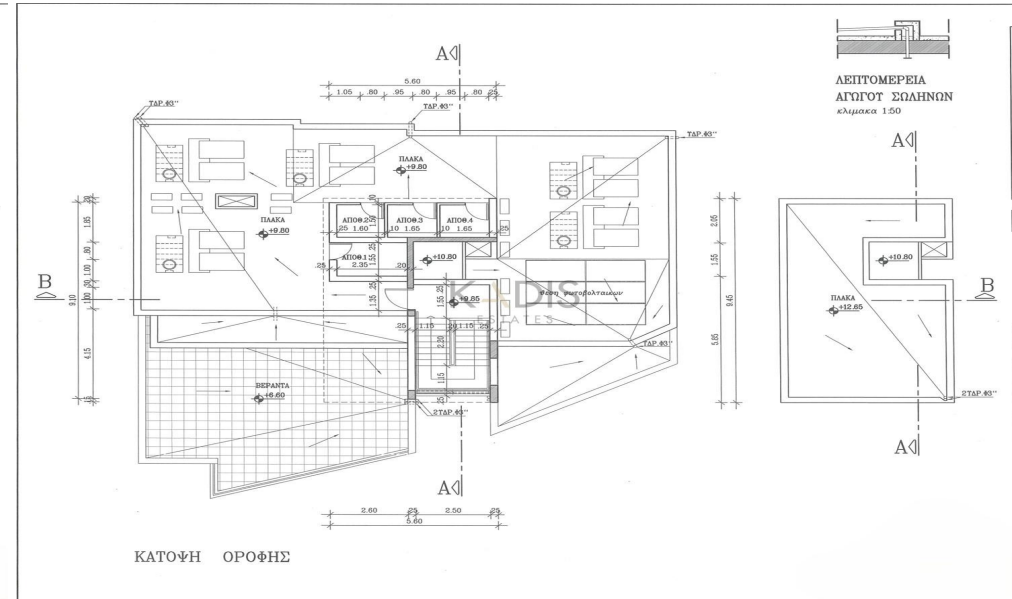
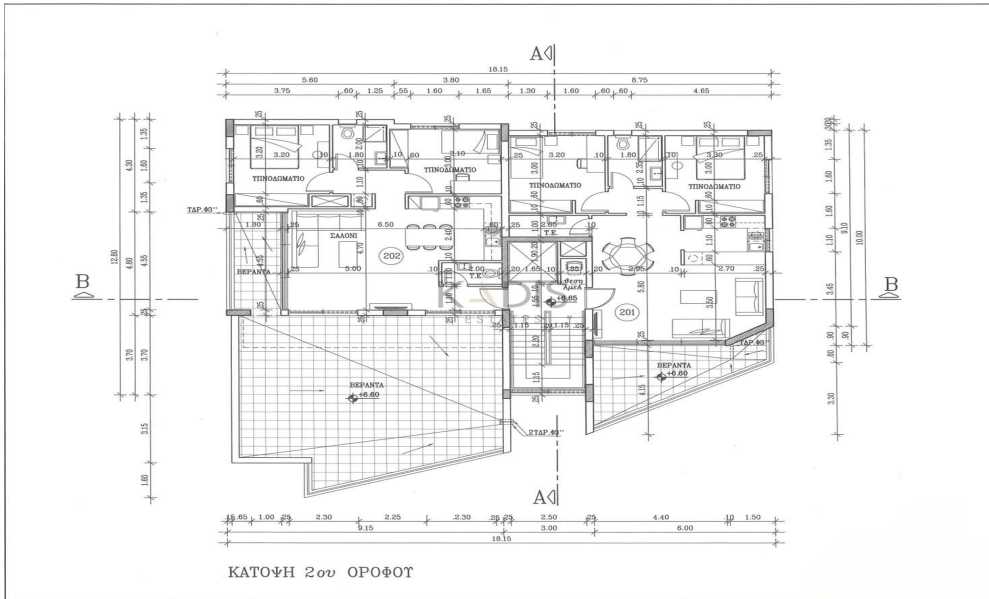
Representative: Kadis Estates

Registration number	506	Email	info@kadis.com.cy
License number	62/E	Legal name	N/A
Phone: +35722344842			

Price change history

€205 000 on Nov 15, 2025





ΛΕΙΤΤΟΜΕΡΕΙΑ
ΑΓΙΩΤΩΤ ΣΩΛΗΝΩΝ
κλίμακα 1:50

